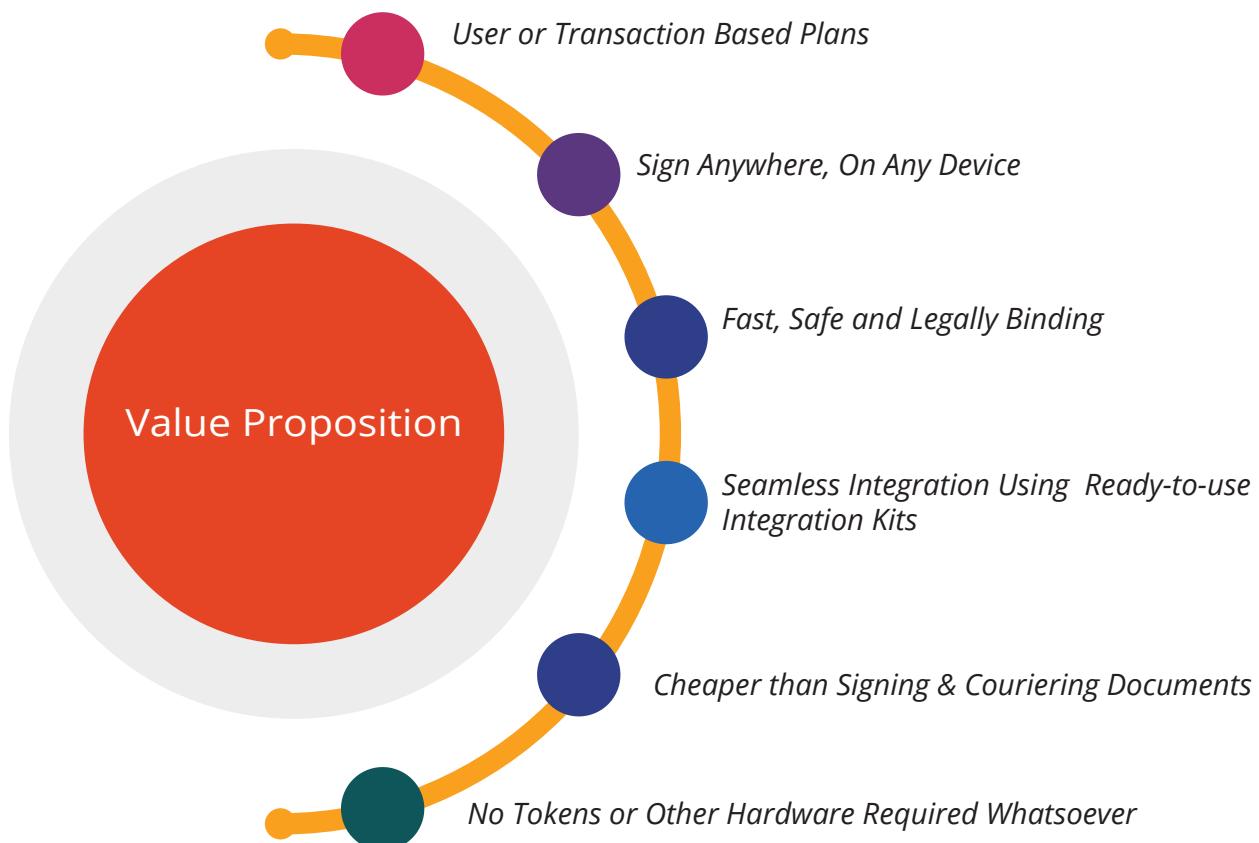


eMudhra's eSign Service

Signing Made Simpler

Make eSigning of documents from anywhere, on any device, simple, fast and cost-effective. Just enroll, upload and eSign.

Recognized under the Indian IT Act of 2000, eMudhra's eSign service is a legally valid way of signing documents in India.



eSign is Secure & Easy to Use

Supports Different Document Types

eSign service supports remote signing of all types of document including PDF, Word, Excel, XML, etc. It also supports multi-document signing, subject to limits prescribed by the Government of India.



No Enrolment Required (eSign 2.0)

eMudhra's eSign 2.0 works on the premise of real-time verification against Aadhaar. That means, you don't have to enrol! All that you have to do is enter your Aadhaar number, authenticate yourself (using OTP sent to Aadhaar linked mobile number), and sign!

Quick Enrolment (eSign 3.1)

eMudhra's eSign 3.1 service works on the basis of a quick one-time presence-less onboarding process and supports ID types beyond Aadhaar (PAN, Passport, Driver License, others).



Security at its Core

From identity verification, to use of cryptographic certificates stored in eMudhra's secure data center IN COUNTRY with audited processes, every aspect of the service is secured!

emSigner Ready

eSign is pre-integrated with emSigner, eMudhra's flagship eSignature workflow application to effectively drive paperless workflows in your organization.



Benefits of Using eMudhra's eSign Service

- eSign works on the web or mobile (iOS, Android)
- eSign is cheaper than signing on paper and couriering
- eSign helps you save time with instant sign and send functionality
- It's so easy, anyone can use it. iOS and Android apps are also available
- eSign comes with advanced admin functionalities for Corporates

Use Cases

- Contract/agreement signing
- Bank account opening
- Signing credit card application
- Signing loan applications
- Customer onboarding
- Purchase order signing
- Invoice signing
- Intra-office notes signing and approval
- Customer and vendor document signing
- And many more

Steps to Follow to Sign a Document Using eSign Service

Step 1: Visit www.esign.e-mudhra.com

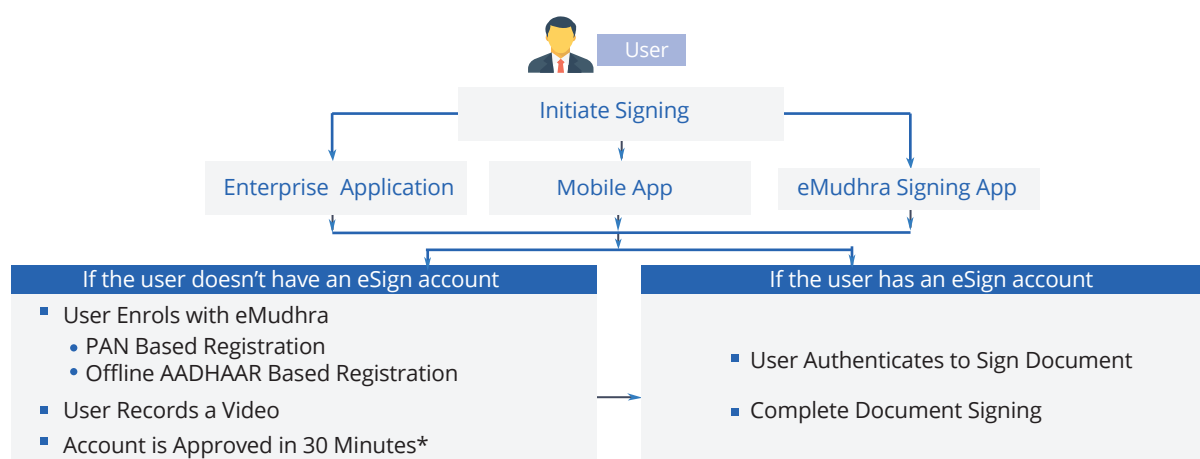
Step 2: Sign up for eSign service in minutes

Step 3: Login (using OTP sent to registered mobile number) and start signing documents in seconds

eSign for Organizations or Application Providers

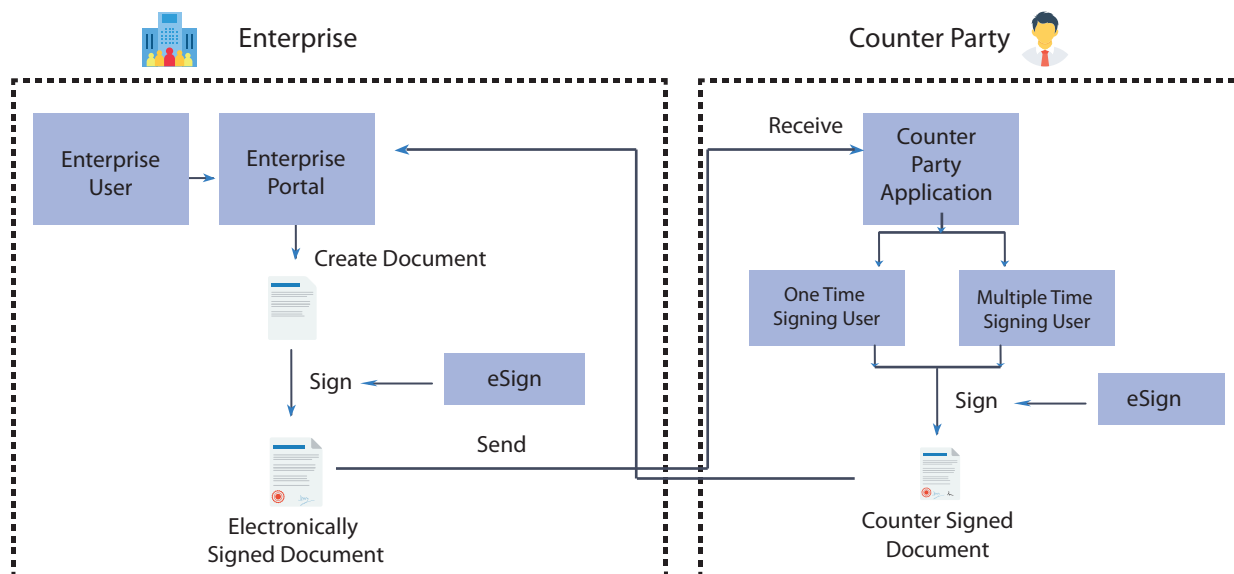
- Supports open API standards published by Government Regulator for interoperability
- Secure HTTPS REST APIs, compatible with all programming languages including Java, C#, C++, etc.
- No additional specialized hardware requirement and compatible with client's existing business application
- Application providers can integrate by registering as an ASP of eMudhra, or by consuming emSigner Gateway services (no ASP registration required)
- eSign for Organizations comes with advanced admin functionalities along with more options and flexibilities that help manage internal and external stakeholders that rely on the organization's eSign service

eSign Workflow for Retail Customers

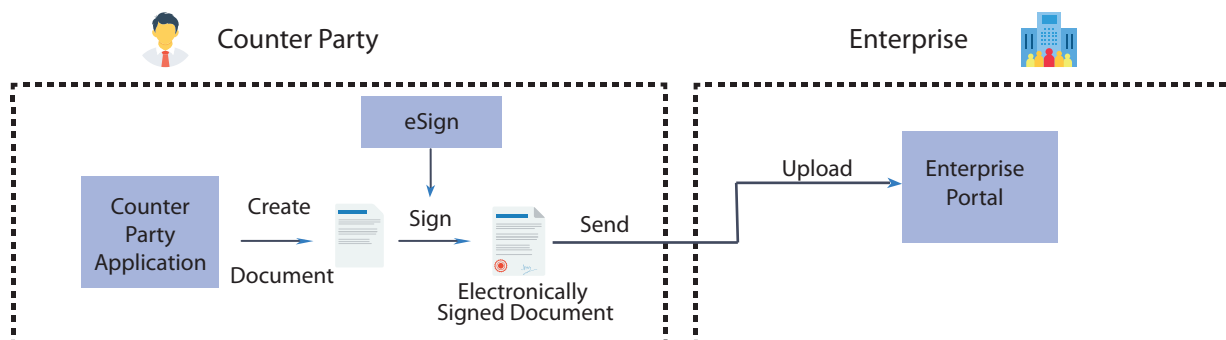


eSign Workflow for Corporates/Application Providers

Document Generated by the Enterprise



Document Generated by the Counter Party



About eMudhra:

As the world goes Digital, security is ever more crucial to protect identities, data, and enable trust in a digital society. eMudhra focuses on SECURE Digital Transformation to enable organizations to progress and evolve without sacrificing "Trust," which matters most in our society. With an end-to-end stack around trust services, PKI, Paperless transformation, and Digital Authentication, eMudhra is optimally placed to aid digital journeys where identity assertion is critical.

eMudhra chairs the Asia PKI Consortium, is a board member of the Cloud Signature Consortium and a member of the CA Browser Forum. Having been in business for over 12 years and built a reach that spans more than 50 countries, eMudhra is deeply committed to bringing change and helping societies across not just go digital but go digital in a secure way.